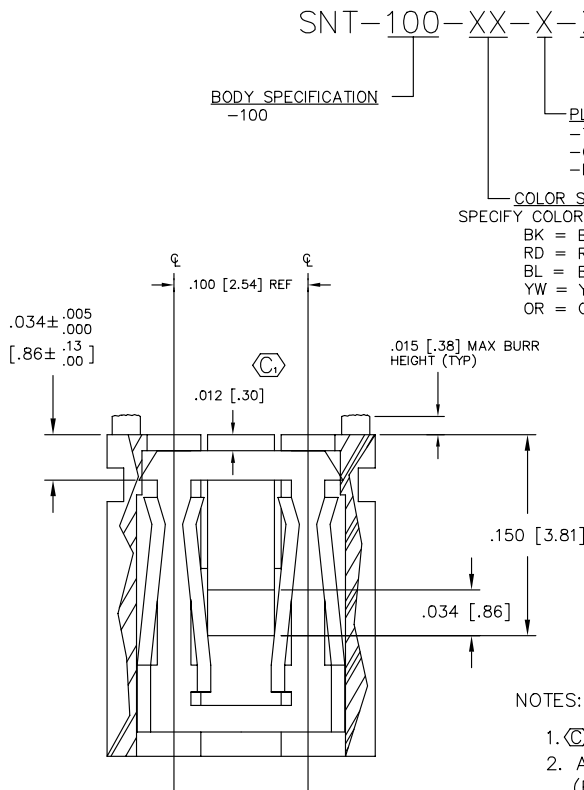
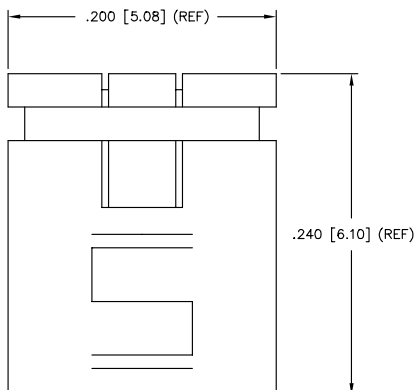
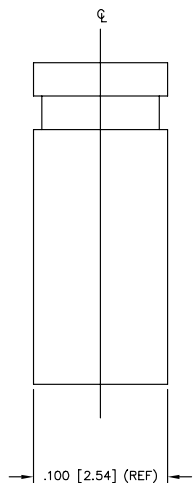
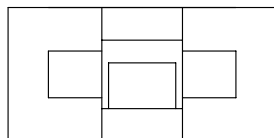


DIMENSIONS ARE IN INCHES		UNLESS OTHERWISE NOTED		TOLERANCES ARE:		TITLE:	DWG NO:
ONE PLACE DECIMALS: ± .1 [2.5]	THREE PLACE DECIMALS: ± .005 [0.127]	ANGLES		± 2°		.100 [2.54] C.L. SHUNT ASSEMBLY	SNT-100-XX-X-X
TWO PLACE DECIMALS: ± .01 [0.25]	FOUR PLACE DECIMALS: ± .0020 [0.0508]						SHEET 1 OF 1

BODY: USE SNT-100-XX  
CONTACT: USE C-37-X

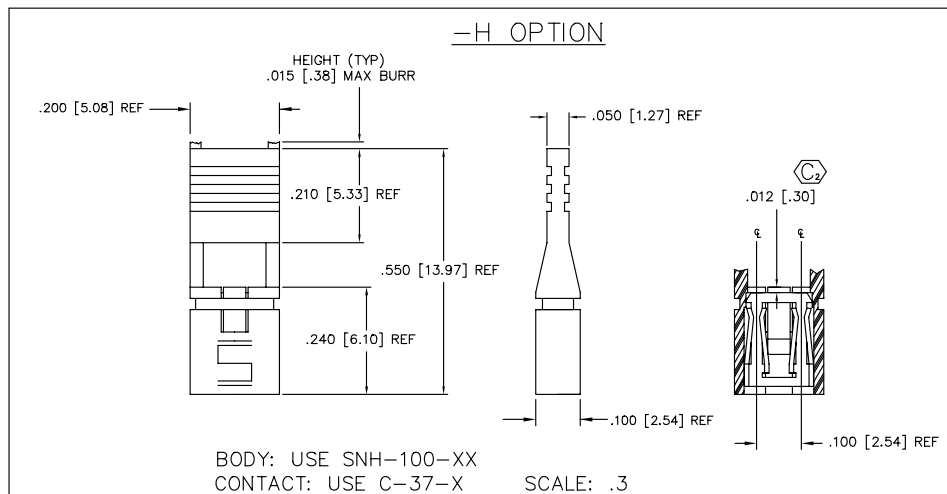


- SNT-100-XX-X-X
- OPTION
    - H: HANDLE (SEE -H OPTION)
  - PLATING SPECIFICATION
    - T = TIN: SPECIFY -T IN CONTACT SUFFIX -X
    - G = GOLD: SPECIFY -G IN CONTACT SUFFIX -X
    - H = HEAVY GOLD: SPECIFY -H IN CONTACT SUFFIX -X
  - COLOR SPECIFICATION
    - SPECIFY COLOR IN BODY SUFFIX -XX
    - BK = BLACK
    - RD = RED
    - BL = BLUE
    - YW = YELLOW
    - OR = ORANGE

- NOTES:
- Ⓢ REPRESENTS A CRITICAL DIMENSION.
  - ALTERNATE VENDOR CAVITY ID RUNNER/CAVITY (EX: AC IS RUNNER 1 CAVITY 3).

Do not scale  
from this print

**PROPRIETARY NOTE**  
THIS DOCUMENT CONTAINS INFORMATION CONFIDENTIAL AND PROPRIETARY TO SAMTEC INC. AND SHALL NOT BE REPRODUCED OR TRANSMITTED TO OTHER DOCUMENTS OR DISCLOSED TO OTHERS OR USED FOR ANY PURPOSE OTHER THAN THAT FOR WHICH IT WAS OBTAINED WITHOUT THE EXPRESSED WRITTEN CONSENT OF SAMTEC INC.



**samtec** MISC\MKTG  
SNT-MKT

520 PARK EAST BLVD. NEW ALBANY, INDIANA 47150  
PHONE (812) 944-6733 P.O. BOX 1147  
CODE 55322

MADE BY: KOLB 1-31-90

SNT-100-XX-X-X  
SHEET 1 OF 1